

ICON FIRES

Commercial Burner Manual

Operating Manual

Thank you for purchasing this Icon Fires Burner. Icon Fires is very safety conscious and we have taken every care in designing, manufacturing and assembling your Icon Fires Burner to ensure it operates effectively, efficiently and safely. In return we ask that you exercise care when using this product and follow the instructions below. Before using your Icon Fires burner, please read all the information contained in this operation manual carefully. Icon Fires cannot be held responsible for any damage or injury caused if these instructions are not followed.

IMPORTANT SAFEGUARDS

Read all instructions and warnings before using this fireplace.

WARNING

- **DO NOT OVERFILL THE BURNER'S INTENDED CAPACITY.**
- **DO NOT INSTALL INTO AN AREA WHERE THERE IS A DRAFT WHICH CAN AFFECT THE FLAME. ESPECIALLY WHEN INSTALLING IN OLD HEARTH, MAKE SURE HEARTH IS SEALED.**
- **USE ONLY THE FUEL FOR WHICH THE LINEAR BURNER IS INTENDED.**
- **DO NOT TOUCH THE EXTERIOR OF THE LINEAR BURNER DURING OR AFTER BURNING.**
- **PARTS OF THIS LINEAR BURNER CAN REACH HIGH TEMPERATURES.**
- **DO NOT HAVE COMBUSTIBLE OBJECTS IN CLOSE PROXIMITY TO THE BURNER.**
- **NEVER POSITION THE BURNER WITHIN RANGE OF COMBUSTIBLE ITEMS THAT CAN BE MOVED/BUMPED BY ACCIDENT, OR BLOWN BY THE WIND. e.g CURTAINS & BLANKETS**
- **ONLY USE THE LINEAR BURNER IN AREAS WITH GOOD VENTILATION.**
- **DO NOT COVER THE LINEAR BURNER VENT WITH ANY DECORATIVE ITEMS WHETHER THEY ARE COMBUSTIBLE OR NON COMBUSTIBLE , INCLUDING BUT NOT LIMITED TO ARTIFICIAL LOGS, STONES, PEBBLES, GLASS BEADS etc.**

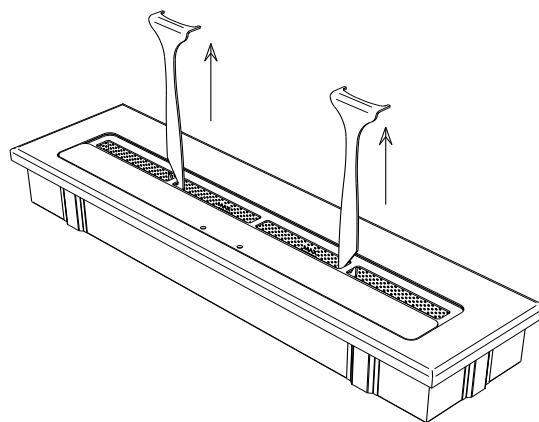
CAUTION

- **Make sure you have read and understood this manual before using this product.**
 - **Do not overfill or spill fuel when refilling.**
 - **If fuel is spilled, wipe with a dry cloth and allow the rest to evaporate before introducing a flame to the burner.**
 - **If the burner is accidentally overfilled, follow the steps given in these next pages.**
 - **To refill, wait until the burner is at the room temperature after the flame has been turned off. NOTE: the flame may not be visible to the naked eye in daylight.**
 - **Never refill over or near an open flame.**
 - **Use the supplied funnel or pump to refill.**
- Remove all plastic & packaging before using the burner.**

ICON  FIRES

Trouble shooting and operating tips:

- The hooks on the back of the **Sliding Lid Handle** can be used to carry the *Linear Burner* by hooking it around the slotted openings in the *Vent Plate* as shown in the image below.
- The **first fill** will take longer as the material inside the *Fuel Tank* will absorb the fuel. Subsequent filling should be quicker. Take care to not fill the burner at a faster rate than what the material inside can absorb the fuel.
- If the fire **does not extinguish** the first time by closing the *Sliding Lid* follow these steps and repeat if necessary.
 - Check that the surface below the sliding plate is clean and free from obstruction.
 - Apply strong downward force and in one quick motion move the sliding plate towards the closed position. If the flame is still visible repeat this step as a double motion still applying strong downward force in quick succession.
- **Never blow on the flame** whilst the *Sliding Lid* is in an open position.
- If your *Linear Burner* **does not ignite** after it has been closed overnight you must refill the burner.
- **VERY IMPORTANT: Take special care when adding fuel to the Linear Burner, always close the Sliding Lid for a few minutes before adding fuel to make sure there is no visible flame in the Burner Vent.**
- If after some time you find the *Sliding Lid* has **become 'sticky'** when attempting to move it then remove the *Sliding Lid* from its housing and rub the underside using the green side of a Scotch Bright scouring pad. Take care to only scrub in the direction of the brushing lines of the stainless steel.
- Make sure you keep your burner clean especially the surface that the *Sliding Lid* slides on and ensure that any excess fuel on the surface of the burner is wiped off before use.



CONTENT OF PACKAGING:

- Burner Body (Includes Drip tank) - qty 1
- Slider - qty 1
- Sliding Lid Handle - qty 2 (1 with Single Burner)
- Battery operated Fuel Pump - qty 1

MAKE SURE THE FIREPLACE HAS COOLED OFF COMPLETELY BEFORE CLEANING:

To clean dust, wipe with a dry cloth or sponge.

To clean stainless steel parts, use bio-ethanol or stainless steel cleaning products.

Make sure the Sliding Lid for the Linear Burner slides correctly and fully after cleaning and that any excess cleaning product has been wiped off completely.

KEEP HANDY A CLASS B FIRE EXTINGUISHER:

Class B fire extinguishers are used to put out fires that are caused by combustible liquids. Class B fire extinguishers quell the flames by expelling a dry chemical powder or foam with a nitrogen propellant. The specific chemical can vary depending on the make or model. Water will not extinguish this flame.

PROCEDURE IF BURNER IS OVERFILLED:

In case of accidental overfilling of the fuel tank, follow these steps:

- NEVER light the Linear burner if it is filled past the **filling line by more than 15mm**, shown in the section of **Filling the Linear Burner**.
- Remove the Linear Burner from its housing, using the hooks on the back end of the Linear Lid Handle or rubber gloves.
- Empty the excess fuel into a container, suitable to hold the Burner volume.
- Wipe off all excess fuel that may have dripped on the outside of the Linear Burner during emptying and allow any residual fuel to evaporate. Leave for 1 hour.
- Place the Linear Burner back into its housing.
- Ignite the Linear Burner only once all residual fuel outside the burner has completely evaporated and the container used to fill the burner has been sealed and moved to a safe distance from the burner.

USE CORRECT FUEL - COMMERCIAL NAMES:

Australia, India, New Zealand, South Africa, Germany, United Kingdom, USA & Canada, France: Bio-Ethanol - Denatured Alcohol, **Holland:** Spiritus - Brand Spritus, **Italy:** Alcool Denaturo - Spirito de Brucaire, **Japan:** Nen-ryo yoh, **Scandinavia:** T-Sprit - Rod Sprit - Denaturoitu Sprii - Sinol - Marinol, **Spain:** Alcohol Metalico - Alcohol de Quemar, **Switzerland:** Brennsprit, **Turkey:** Ispirto.



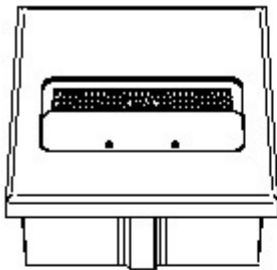
ICON  FIRES

Commercial Burner Range

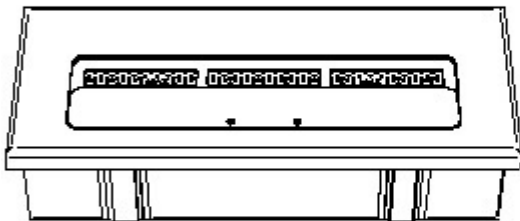
The following information is provided to assist in understanding how each model within our collection can be incorporated into your desired settings. It is intended as a guide only and it is important that you read the detailed *Model Specification* of the model you are interested in before ordering, specifying, installing or operating the fire.

Model No.	Dimensions in mm (L x W x H)	Fuel Capacity	Material	Heats On Average	Minimum Room Area	Thermal Output Net	Burning Time On Average	Consumption Average
IFSB320	330x330x128	5.2 ℓ	Brushed 304 SS	up to 125 m ³	50 m ³	4.0 kW/hr	4-8 hrs	0.5 ℓ/hr
IFMB614	624x254x128	7.7 ℓ	Brushed 304 SS	up to 200 m ³	70 m ³	6.5 kW/hr	6-10 hrs	0.75 ℓ/hr
IFLB914	924x254x128	11.5 ℓ	Brushed 304 SS	up to 275 m ³	90 m ³	10.5 kW/hr	8-12 hrs	0.9 ℓ/hr

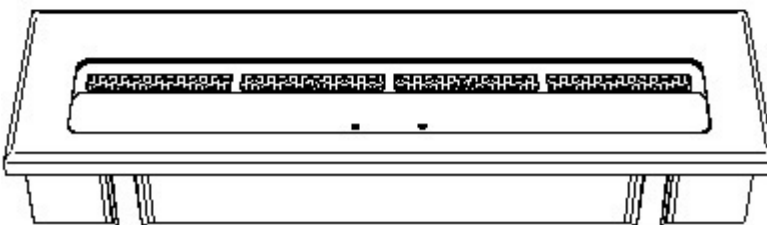
*Average consumption and burn time is based on mixed settings of maximum and moderate output. These burn times and consumption rates may vary depending on room characteristics.



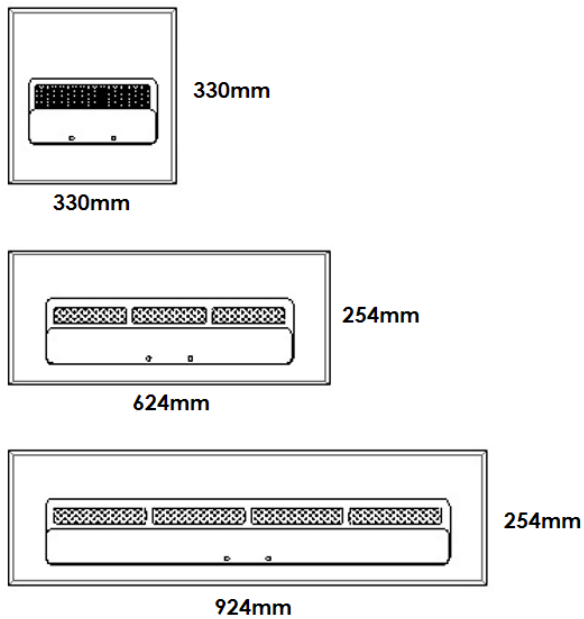
SB320



MB614



LB914

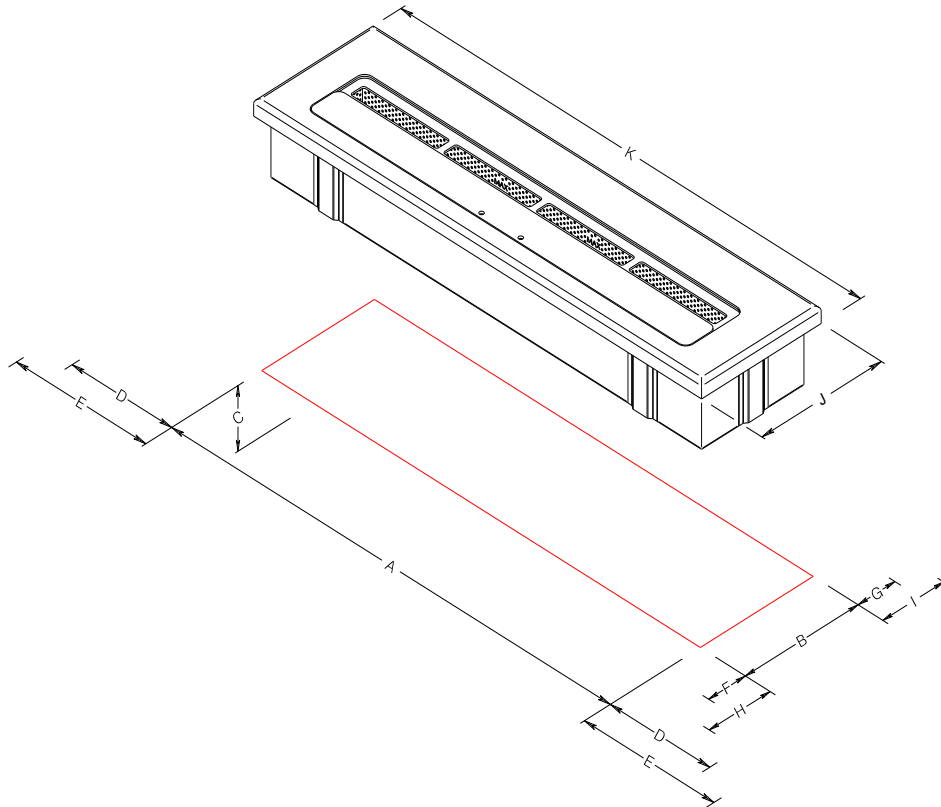


Please refer to Technical Specification Sheets for more detailed drawings and dimensions.

NOTE: There are many different variations available for installing the Burner Range. In all cases, the Linear Burner must:

- Installed into non-combustible material ONLY;
- All gas connections or pipelines near your new Burner installation must be disconnected and made safe by an appropriately qualified professional prior to installation;
- Installed into a fixed, level and secure position before filling, lighting and operating;
- Installed in a position that limits relocation requirements to eliminate the risk of accidents caused by fuel spillage. These burners are not designed to be relocated frequently;
- Installed into a level platform;
- Not installed directly beside or near wallpaper, laminate, veneer or any surface that has not been fire rated and considered combustible.
- A minimum of 1000mm radius to any combustible material.
- Not be within the reach of any objects that are not fixed in position and can be moved by the wind or bumped over easily i.e. curtains, blankets, newspapers etc.

Installation & Safety Clearances



Cutout & Product Sizes

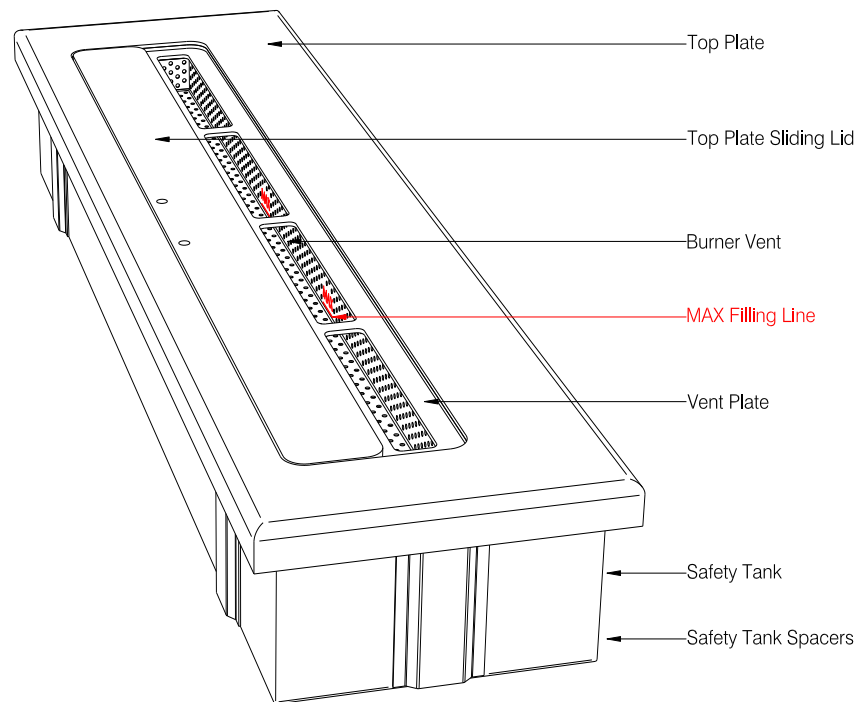
Model No.	Cut out Length - A	Cut out Width - B	Cut out Depth - C	Top Plate Length - K	Top Plate Width - J
IFSB320	306 mm	306 mm	105 mm	330 mm	330 mm
IFMB614	595 mm	230 mm	105 mm	624 mm	254 mm
IFLB914	895 mm	230 mm	105 mm	924 mm	254 mm

Safety Clearances

Model No.	Distance to Non-Combustible Items - D	(Front) Distance to Non-Combustible Items - F	(Back) Distance to Non-Combustible Items - G	Height Above Cut out to Non-Combustible Items	Distance to Combustible Items - E	(Front) Distance to Combustible Items - H	(Back) Distance to Combustible Items - I	Height Above Cutout to Combustible Items
IFSB320	50 mm	50 mm	50 mm	500 mm	500 mm	500 mm	500 mm	1550 mm
IFMB614	50 mm	50 mm	50 mm	500 mm	500 mm	500 mm	500 mm	1550 mm
IFLB914	50 mm	50 mm	50 mm	500 mm	500 mm	500 mm	500 mm	1550 mm

NOTE: all clearances given are from the cut out in the surface where the burner will be placed.

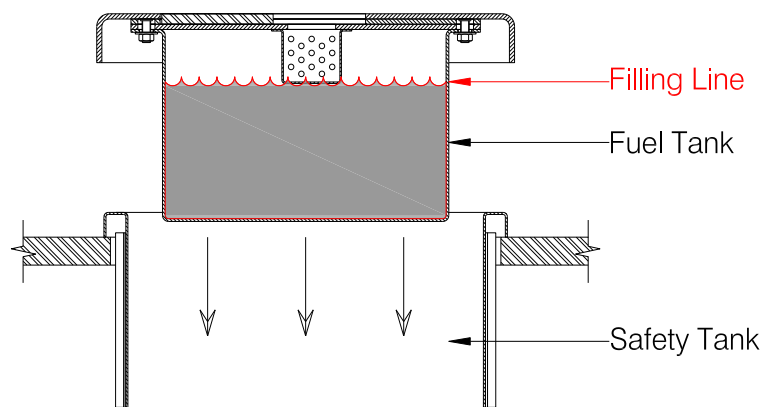
1 - Filling the Linear Burner



Fill the Linear Burner *Fuel Tank* to the *Fill Line* until the fuel becomes visible at the bottom of the *Burner Vent*. Fill using the *Fuel Pump* supplied or a funnel.

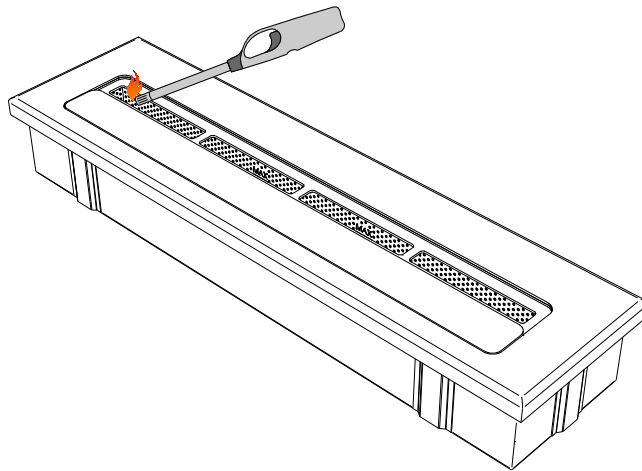
DO NOT OVERFILL.

Please wipe any spillage or excess fuel before proceeding to Step 2.



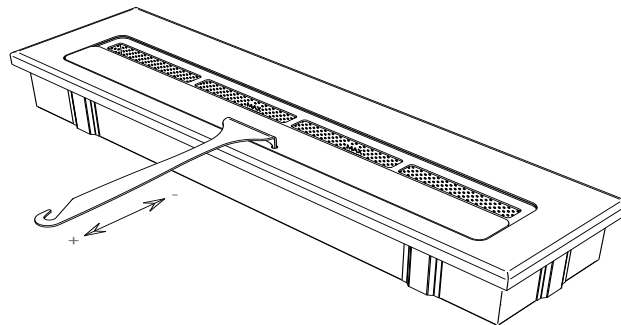
ICON  FIRES

2 - Igniting the Linear Burner



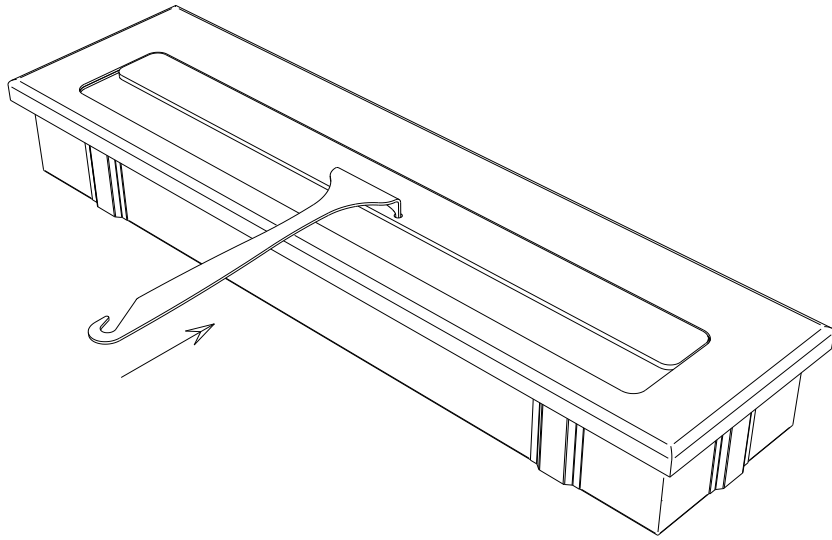
Seal the fuel canister used to fill the Burner and move to a safe distance away from the Burner. While standing at arm's length away from the Burner, use a long arm lighter as per the image above to introduce a flame to the openings in the *Vent Plate*. If the *Burner* has fuel in the reservoir but is not igniting, close the *Sliding Lid* for 5 minutes then open the *Sliding Lid*. Ensure there are no flames visible within the burner vent opening, then pour a small amount of fuel across the length of the *Burner Vent* with the supplied plastic bottle and introduce the flame. This normally happens when the burner has been closed for a day or more.

3 - Adjusting the Flame Size



The flame intensity is adjusted by inserting the *Sliding Lid Handle's* tip into the corresponding holes in the *Top Plate Sliding Lid* as indicated above. Note the flame intensity takes a few minutes to change after an adjustment has been made.

4 - Extinguishing the Flame



Using the *Sliding Lid Handle*, pull the *Sliding Lid* to the front / closed position. Should the flame not extinguish with the first try please repeat until extinguished. It should be a swift action coupled with downward pressure.

Icon Fires warranty Terms and Conditions:

- 1.** All warranty claims are subject to manufacturer's review and acceptance.
- 2.** Icon Fires warrants that it uses reasonable care and skill to ensure that its products are of reasonable quality. Icon Fires will at its cost and in its sole discretion: (i) remedy any defect or fault in any product purchased; or (ii) replace any product in respect of which there is a defect or fault, during the warranty period, provided that written notice is given by the Purchaser to Icon Fires of any such defect or fault in the product as soon as the Purchaser becomes aware of that fault or defect. All warranty claims must be returned to Icon Fires for assessment with a receipt or other proof of payment. No warranty is given in respect of any glass contained in any product.
- 3.** Icon Fires has no liability to remedy any defect in a product or replace a product where the defect or fault is caused or contributed to by (i) the failure of the Purchaser to install the product according to specific installation instructions either supplied within each product box or carton or available on the Icon Fires website or through the retailer representative; or (ii) use of the product in a manner or for a purpose for which it was not designed.
- 4.** All site application or installation must reflect these procedures otherwise the product warranty will be considered void or will not take effect.

All products bearing the logo of Icon Fires logo is covered by a 2 year warranty.

IMPORTANT:

- **Stone chipping, painting scratches and general scratches are not covered by the Warranty.**
- **Due to the characteristics of Stainless Steel, over time the finish will mature through natural processes associated with the use with heat and a flame.**
- **Is it recommended the Stainless Steel Components be polished annually with a non abrasive polish to bring & restore the finish and also to regularly clean the products from residue and dirt.**



QC Checklist

Components

- Handles 2 of (500 Burner only 1 of).....
- Slider 1 of (1400 burner 2 of).....
- Manual 1 of.....
- Pump 1 of.....
- Burner body (Includes Drip tank) 1 of

Checked by.....

