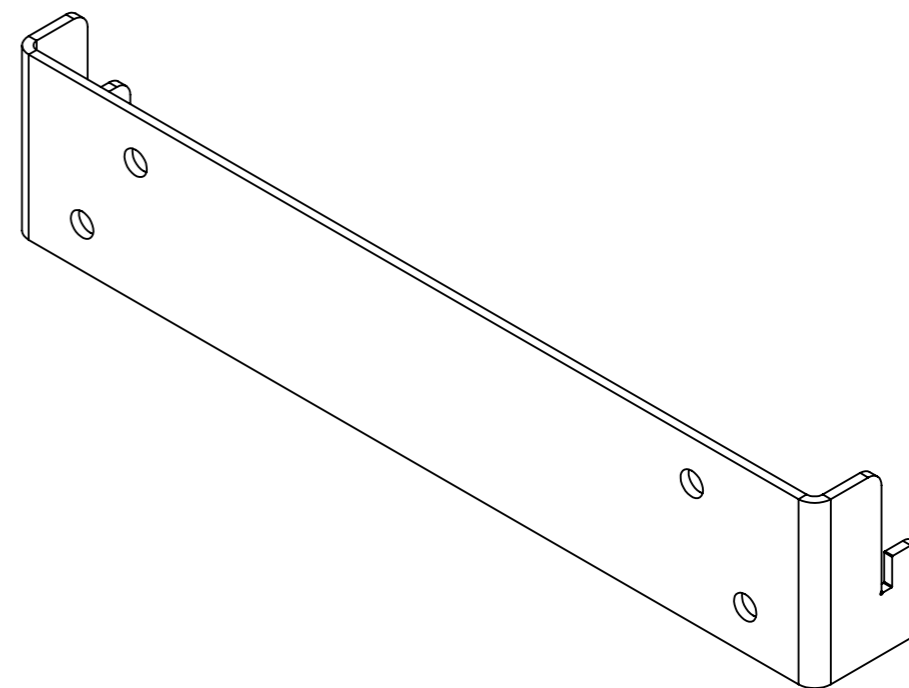
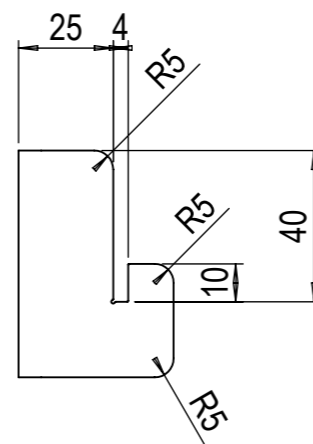
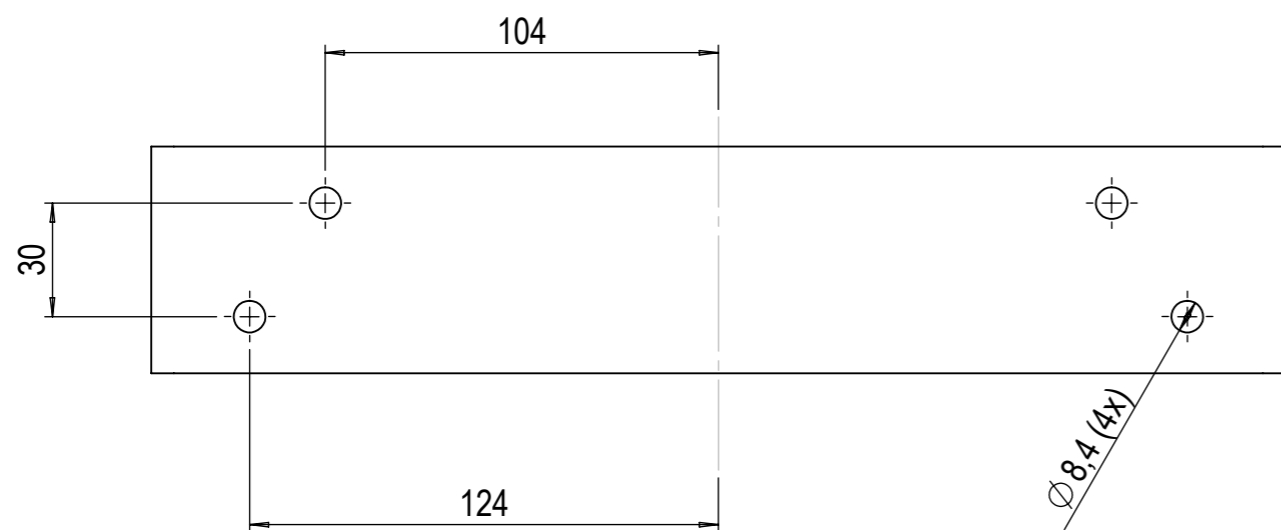
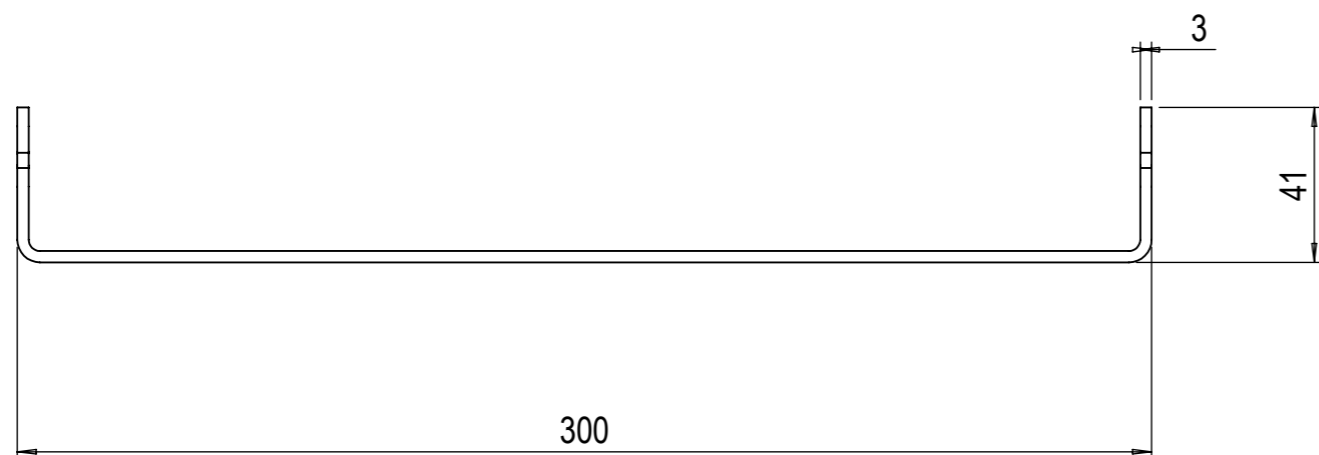


FLAT PATTERN AND DIMENSIONS ACCORDING Pro-E-FILE

The information contained in this drawing is the soul property of Glen Dimplex Benelux BV.
Any reproduction in part or whole without the written permission of Glen Dimplex Benelux BV is prohibited.

Rev.	Comment	Authorized	Revision Date
002	RP, changed surface treatment to aluminized instead of black painted		15-9-2017

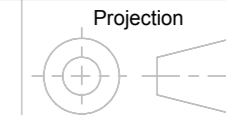


Project: E-Matrix	Drawing no.: I-II-III-KHE.1001.15	Dimension tolerances according to NEN-ISO 406	Geometric tolerances according to NEN-ISO 1101
Created date: 12-7-2017	Ref. filename: A9324596	Unless otherwise specified: Dimensions are in mm, angles are in °	
Drawn by: H.H.		Tolerances unless otherwise specified: Length ±0,5 mm Angle ± 1°	
Checked by:	Description: Suspension-bracket	CAD generated drawing: Do not manually update Do not scale drawing	
Status:		Debur and break sharp edges	
Revision nr: 002			
Revision Date: 15-9-2017			
Material: DC01 (aluminized)			
Scale: 1:2			



Glen Dimplex Benelux BV

P.O. box 219, NL-8440 AE Heerenveen Tel.: +31(0)513 656500 Fax: +31(0)513 656531



A3

Sheet 1 of 1