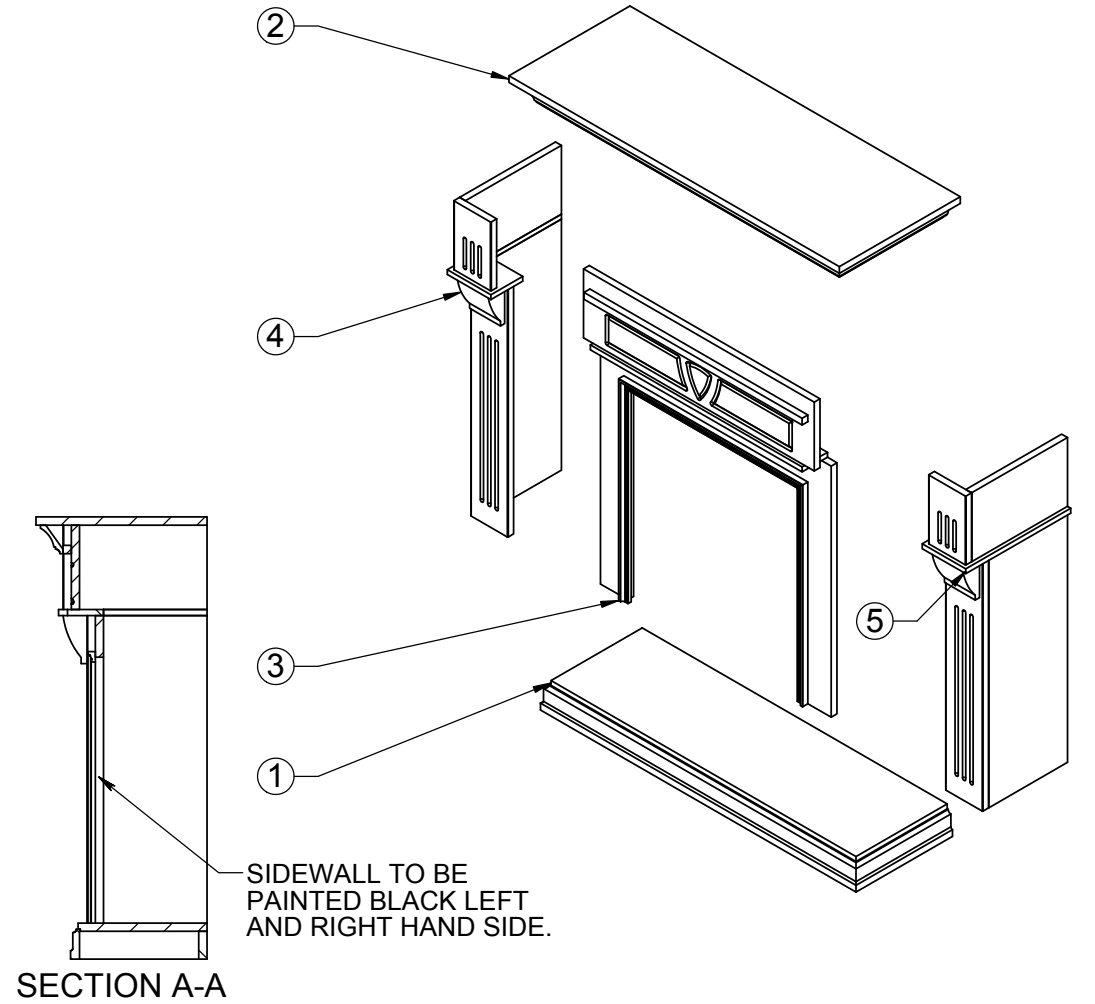
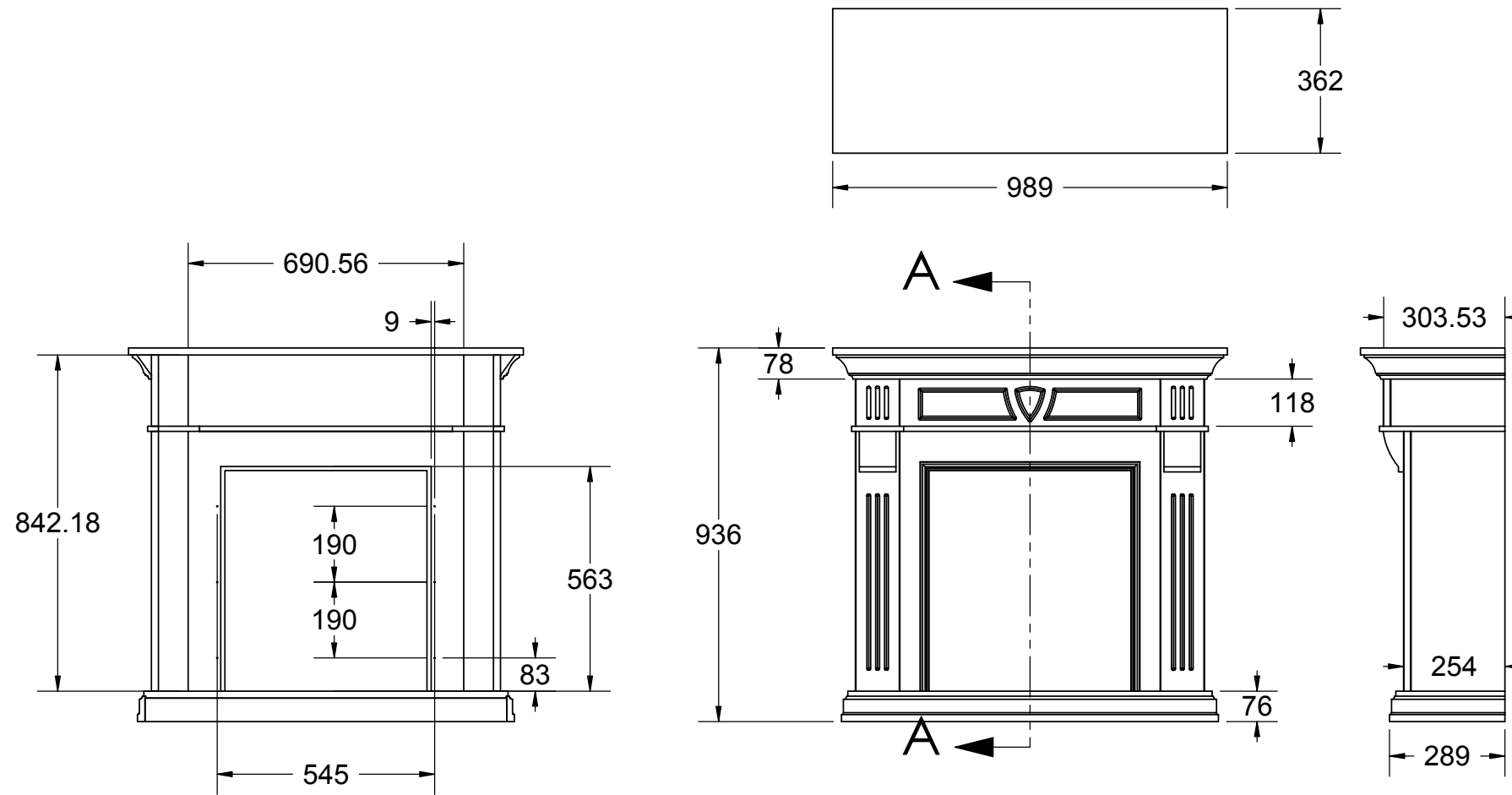


REVISIONS				
REV.	DESCRIPTION	DATE	PCN	IN'L
00	FIRST ISSUE	21/12/07	10379	RA
01	REVISED HEADER DETAIL AND FLUTES	16/01/08	10379	RA
02	removed alabaster finish added white finish	7/5/08	10379	RA
03	added BOM for mantel	12/18/08	11104	RA
04	revised finish #	1/10/09	11130	ra



- NOTES:
- PART #6904790100 AS SHOWN.
  - USE SUITABLE HARDWARE TO SECURE ENGINE ASSEMBLY TO MANTEL.
  - MATERIAL: MDF.
  - FINISH AS PER ASSEMBLY # 6903050000, EFP9997AW FINISH CODE #07, EFP9997W FINISH CODE # 01.
  - COMPONENTS TO BE SECURELY ATTACHED BY MEANS OF GLUE, NAILS AND/OR SCREWS.
  - NO NAILING ON ANY OF THE VISIBLE SURFACES.
  - NO GAPS ALLOWED ON ANY OF THE VISIBLE SURFACES.
  - ALL VISIBLE SURFACES TO BE FINISHED WITHOUT ANY VISIBLE DEFECTS.
  - ALL DIMENSIONS TO OUTSIDE EDGES UNLESS OTHERWISE SPECIFIED.
  - ANY DIMENSIONS NOT SHOWN PLEASE REFER TO SOLID MODEL PROVIDED BY DIMPLEX N.A.
  - TOLERANCES: ALL DIMENSIONS OVER 15mm TO BE  $\pm 1.5\text{mm}$  UNLESS OTHERWISE SPECIFIED; ALL DIMENSIONS UNDER 15mm TO BE  $\pm 0.75\text{mm}$  UNLESS OTHERWISE SPECIFIED.
  - USE SUITABLE HARDWARE TO INSTALL AND SECURE TO MANTEL FOUR PLASTIC LEGS, 3/16" (4.75mm) MAX HEIGHT.

ITEM NO.	PART NUMBER	DESCRIPTION	QTY.	Rev
5	1115740200	MANTEL SIDE RH	1	00
4	1115740100	MANTEL SIDE LH	1	01
3	1115720000	CENTRE FRAME	1	01
2	1115710000	TOP	1	00
1	1115730000	BASE	1	00

**R.o.H.S**  
 All material must comply with the requirements of European Directive 2002/95/EC on the restriction of the use of certain hazardous substances

UNLESS OTHERWISE SPECIFIED		MATERIAL: N/A		TITLE: MANTEL - EFP9997		REV.: 04	
No sharp edges on all parts. ALL DIM. IN INCHES DO NOT SCALE FLAT IS FOR REFERENCE ONLY TOLERANCES: X.XX $\pm 0.13$ X.X $\pm 0.75$ X. $\pm 2.50$ HOLES: $\pm 0.13$ ANGLES: $\pm 2^\circ$		FINISH: SEE NOTES		WHERE USED: EXPORT		DWG NO.: 6904790000	
THIS SYMBOL REPRESENTS A CONTROL DIMENSION. CONTROL DIMENSIONS ARE CONSIDERED TO BE A GOOD INDICATOR OF WHETHER A MANUFACTURING PROCESS IS IN CONTROL. THESE DIM. MUST HAVE A MIN. Cpk OF 1.33 FOR A SAMPLE 31 CONSECUTIVE PIECES.		DR BY: RA		DATE: DEC 20/07		SHEET: 1 OF 1	
SCALE: 1:16		DATE		SIZE: B			