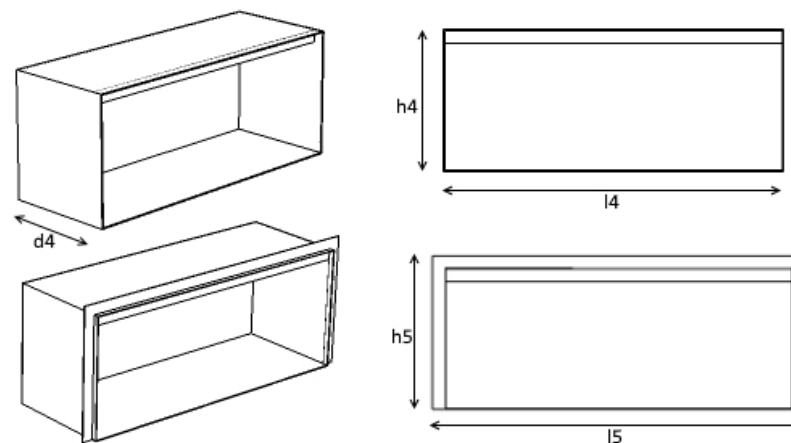
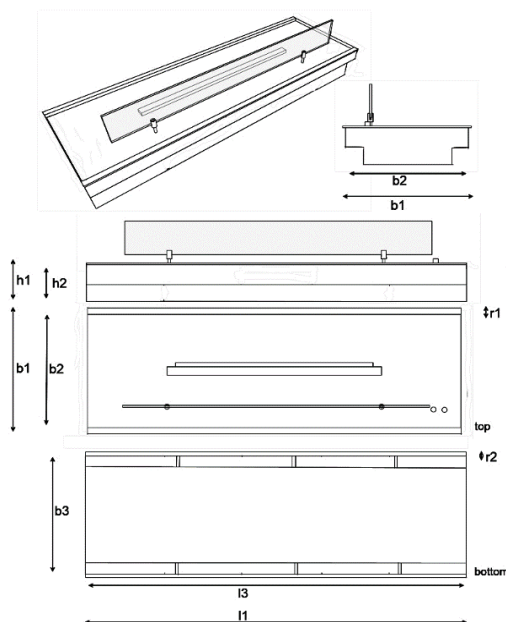


Dimensies

BIO-O! Systems

Type	Systeem				Cassette			
	Dimensies: $l1 \times b1$ $r1: 15 \text{ mm}$	Opening: $l \times b$	Hoogte: $h1 (h2)$	Gewicht (kg)	Zonder kader		Met kader	
					Dimensies: $l4 \times d4 \times h4$	Gewicht (kg)	Dimensies: $l5 \times d4 \times h5$	Opening: $l \times h$
BIO-O! 40-60	590x300	592x282	120(118)	7	Firebasket: 596x305x600	20	676x305x640	656x630
BIO-O! 50-90	886x300	888x282	87(85)	9	892x305x440	22	972x305x480	952x470
BIO-O! 60-100	986x300	988x282	87(85)	10	992x305x440	24	1072x305x480	1052x470
BIO-O! 70-120	1186x300	1188x282	87(85)	11	1192x305x440	27	1272x305x480	1252x470
BIO-O! 90-140*	1386x300	1388x282	87(85)	12	1392x305x440	31	1472x305x480	1452x470



BIO-O!