

# ICON FIRES

**Double Sided Firebox User Manual**

# Operating Manual

Thank you for purchasing this Icon Fires Burner. Icon Fires is very safety conscious and we have taken every care in designing, manufacturing and assembling your Icon Fires Burner to ensure it operates effectively, efficiently and safely. In return we ask that you exercise care when using this product and follow the instructions below. Before using your Icon Fires Burner, please read all the information contained in this operation manual carefully. Icon Fires cannot be held responsible for any damage or injury caused if these instructions are not followed.

## IMPORTANT SAFEGUARDS

When using this Fireplace, basic precautions should always be followed, including but not limited to the following.

**Read all instructions and warnings before using this Fireplace.**

## WARNING

- **DO NOT OVERFILL THE BURNER'S INTENDED CAPACITY.**
- **NEVER LEAVE THE APPLIANCE UNATTENDED DURING OPERATION OR WHEN A FLAME IS PRESENT.**
- **DO NOT IGNITE THE COMBUSTION CHAMBER WHEN IT IS IN A HOT STATE.**
- **USE ONLY THE FUEL FOR WHICH THE SLIMLINE BURNER IS INTENDED.**
- **DO NOT TOUCH THE EXTERIOR OF THE SLIMLINE BURNER DURING OR AFTER BURNING.**
- **PARTS OF THIS SLIMLINE BURNER CAN REACH HIGH TEMPERATURES.**
- **DO NOT HAVE COMBUSTIBLE OBJECTS IN CLOSE PROXIMITY TO THE BURNER.**
- **UNLESS THE BURNER IS OUTDOORS, DO NOT INSTALL INTO AN AREA WHERE THERE IS A DRAFT WHICH CAN AFFECT THE FLAME.**  
**ESPECIALLY WHEN INSTALLING IN OLD HEARTH, MAKE SURE HEARTH IS SEALED.**
- **NEVER POSITION THE BURNER WITHIN RANGE OF COMBUSTIBLE ITEMS THAT CAN BE MOVED/BUMPED BY ACCIDENT OR BLOWN BY THE WIND. E.G. CURTAINS, BLANKETS, PAPERS ETC...**
- **ONLY USE THE SLIMLINE BURNER IN AREAS WITH GOOD VENTILATION.**
- **DO NOT COVER THE SLIMLINE BURNER VENT WITH ANY DECORATIVE ITEMS WHETHER THEY ARE COMBUSTIBLE OR NON-COMBUSTIBLE, INCLUDING BUT NOT LIMITED TO ARTIFICIAL LOGS, STONES, PEBBLES, GLASS BEADS etc.**
- **THE FIREBOX BODY MUST BE INSULATED WITH A LAYER OF THERMAL CERAMIC WOOL OR SIMILAR MATERIAL THAT CAN WITHSTAND CONSTANT TEMPERATURES OF 300 °C.**
- **THE INSULATION MUST COVER THE ENTIRE FIREBOX BODY AND BE FIXED SECURELY SO THAT NO COMBUSTIBLE MATERIAL INSIDE THE WALL CAVITY CAN TOUCH THE FIREBOX. THE BODY OF THE FIREBOX CAN REACH TEMPERATURES OF UP TO 200 °C.**
- **CUSTOMS INSTALLATION: ICON FIRES IS NOT LIABLE FOR ANY INJURIES OR DAMAGES SUSTAINED BY CUSTOM MADE OR PRIVATELY COMMISSIONED FIREBOXES. ICON FIRES RECOMMENDS USING THE BURNERS IN THE FIREBOXES MANUFACTURED BY ICON FIRES ONLY. ANY ALTERATIONS TO THE ICON PRODUCT VOIDS ANY WARRANTY OR LIABILITY.**
- **WARNING: FILLING AND ALCOHOL FUELLED DEVICE WHILE LIT HAS CAUSED SEVERE BURNS AND DEATHS. WHEN REFILLING FIRST CHECK THE FLAME IS EXTINGUISHED AND THAT THE DEVICE IS COOL.**

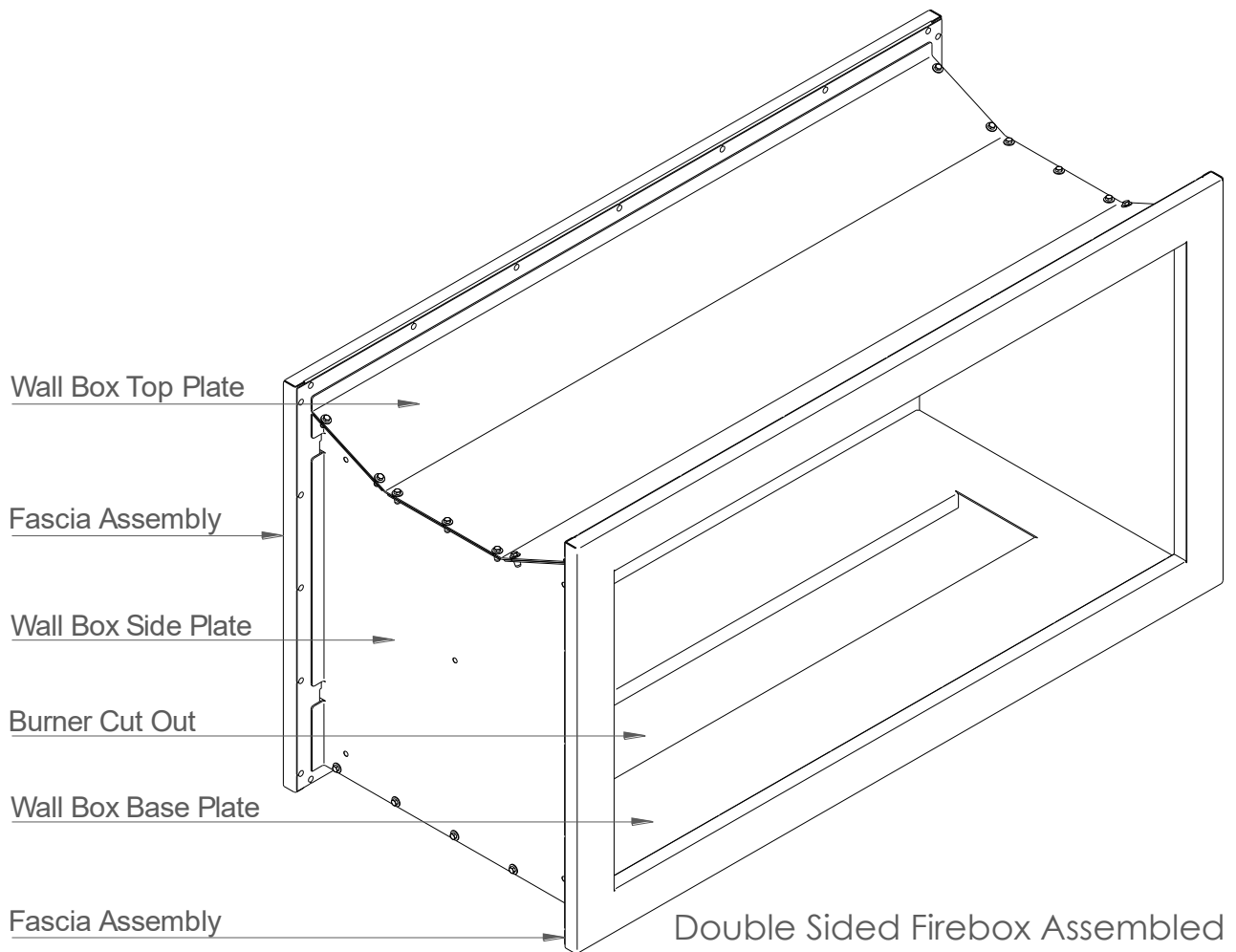
## CAUTION

- **Make sure you have read and understood this manual before using this product.**
- **Do not overfill or spill fuel when refilling.**
- **If fuel is spilt onto the surface of the Firebox **WIPE IT IMMEDIATELY AND LEAVE TO DRY BEFORE LIGHTING THE BURNER.****
- **If fuel is spilled on the stainless steel Burner during filling, wipe with a dry cloth and allow the rest to evaporate before lighting the Burner.**
- **If the Burner is accidentally overfilled, follow the steps in the Burner manual to rectify.**
- **To refill, wait until the Burner is at the room temperature after the flame has been turned off.**  
**NOTE: the flame may not be visible to the naked eye in daylight and must be cool before filling.**
- **NEVER refill over or near an open flame and use a decanter with a flame arrestor only.**
- **Remove all plastic & packaging before using the Burner.**

ICON  FIRES

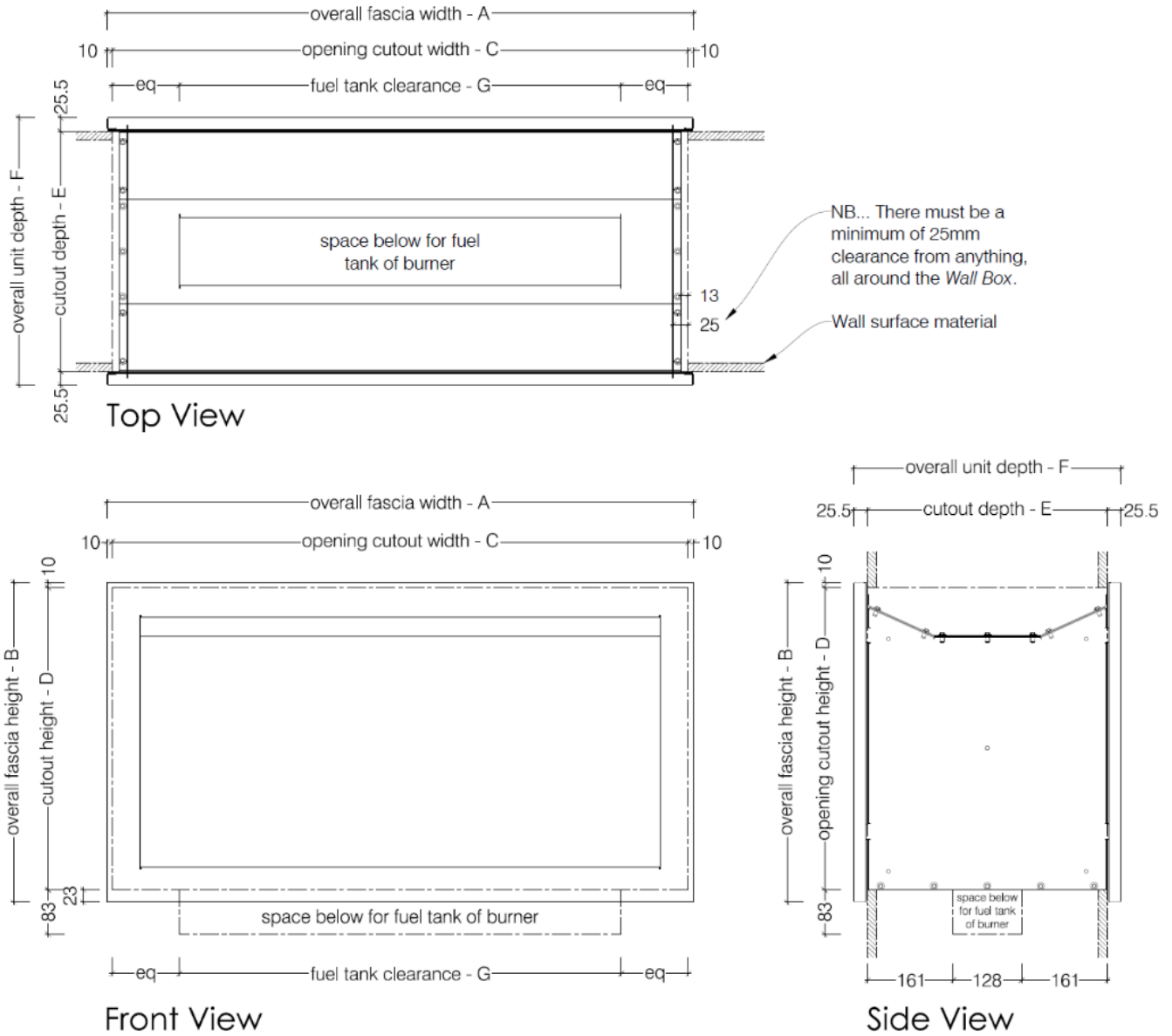
## CONTENT OF PACKAGING DOUBLE SIDED FIREBOX:

- Base Plate - qty 1
- Side Plates - qty 2
- Top Plate - qty 1
- Fascia Assemblies - qty 2 (Packaged separately)
- Bolts and Washers - qty varies for each model size



NOTE: The *Firebox* has been designed to be built into many different materials and environments, and due to this fact, we cannot provide instructions for each and every possible situation. We advise that you use only certified builders or installation specialists who will exercise the necessary precaution needed. Please refer to the Technical Specification Sheets for more detailed dimensions for each size in the *Firebox Range*.

# 1 - Product Specifications for *Double Sided Fireboxes*



## Overall Product Sizes - Slimline Double Sided Firebox:

A = Fascia Width and model nr.	B = Fascia Height	C = Cut-out *Opening Width	D = Cut-out *Opening Height	E = Minimum Cut-out Depth	F = Overall Unit Depth	G = Fuel Tank Clearance
1100mm	600mm	1080mm	567mm	450mm	500mm	830mm
1350mm	600mm	1330mm	567mm	450mm	500mm	1130mm
1650mm	600mm	1630mm	567mm	450mm	500mm	1430mm
2000mm	600mm	1980mm	567mm	450mm	500mm	1430mm
2000mm *	600mm	1980mm	567mm	450mm	500mm	1680mm

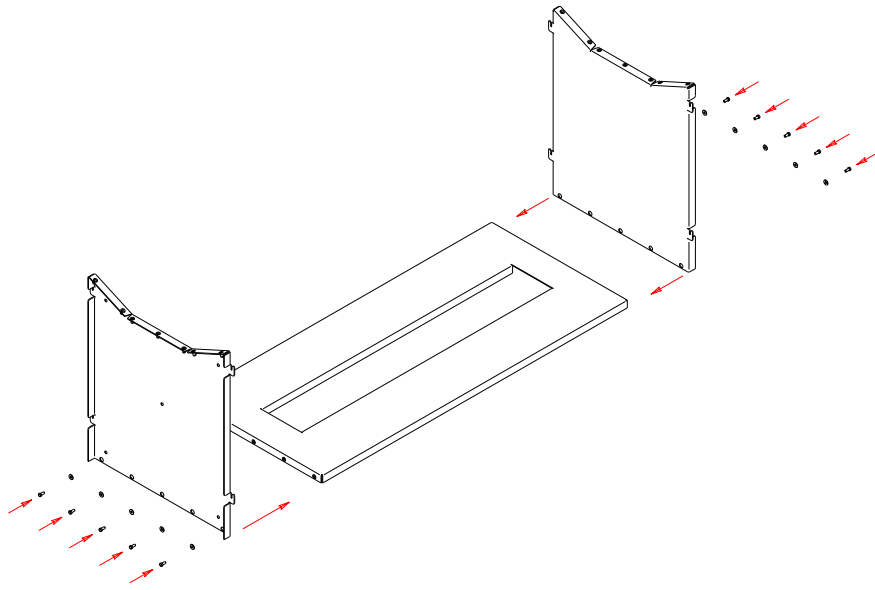
2000mm is with 1 x 1400 Slimline Burner and 2000\* is with dual 800 Slimline Burners

## Overall Product Sizes – Commercial Double Sided Firebox:

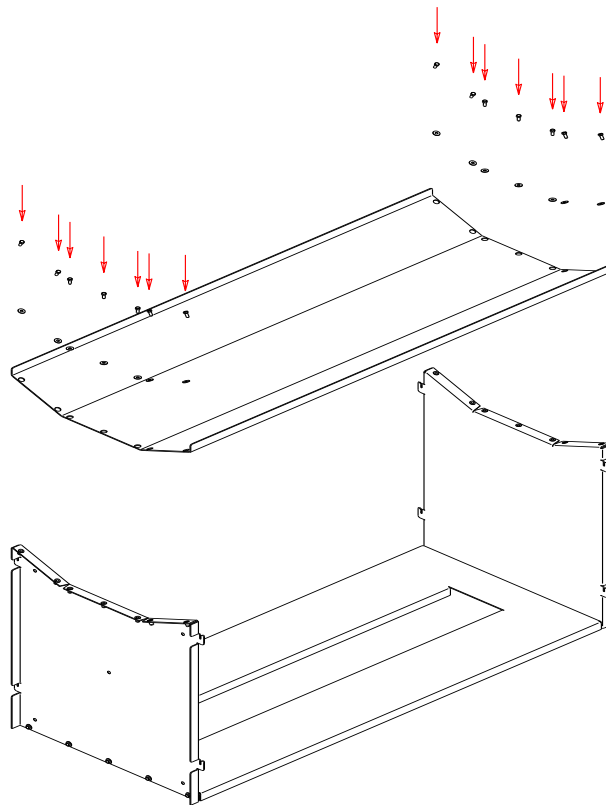
Size Burners	A = Fascia Width	B = Fascia Height	C = Cut-out *Opening Width	D = Cut-out *Opening Height	E = Minimum Cut-out Depth	F = Overall Depth	G = Fuel Tank Clearance
Classic & MB614	900mm	600mm	880mm	567mm	450mm	500mm	600mm
Grand XL & LB914	1100mm	600mm	1080mm	567mm	450mm	500mm	900mm

\* Cut out opening width and height is the opening size of the cut out in the wall surface onto which the Fireplace fascia is ultimately placed against. All other construction materials that are positioned behind the face of the wall must have a minimum 25mm clearance to the surface of insulation wrapped around the exterior Firebox body.

## 2 - Assembly Instructions - Double Sided



**Place the base plate flat and fix the side plates to the base plate with the fasteners and washers provided. Do not tighten the fasteners completely. Hand fasten only as you might need to make a positioning and adjustments when the other plates are attached.**



**Lastly fasten the top plate to the side plates. Make sure all the plates fit together and that there are no gaps visible between the plates. Fasten all the screws tightly. Your Firebox is now ready to be installed.**

## READ CAREFULLY

- The Firebox body that sits inside the wall cavity must be insulated with a layer of insulation material such as rock wool or ceramic blanket that can handle continuous exposure of 300 °C. The entire Firebox body must be isolated from any combustible material inside the wall cavity. The insulation must be securely fixed onto the body of the Firebox. No combustible materials may touch the surface of the Firebox body.
- Make sure that the Firebox is installed no closer than 1m (40 inch) from any combustible items such as furniture, curtains, etc. See image on the next page in this section. This excludes the actual structure in which the Firebox is placed if the Firebox is thermally insulated. The floor below the Firebox, inside the wall cavity, must be insulated and cannot be made from combustible material. Wooden floors, plastic based flooring, carpets etc. are not allowed.
- When installing into old hearths or new structures ensure that you create ventilation openings above and below the position of the Fireplace in the old hearth or new structure.
- Take care when placing valuable items such as artwork, electronic devices, etc. above the Firebox as the hot air that rises from the flame may damage such items.
- Position the Firebox where it will not be affected by any breeze or draft, as this may affect the behaviour of the flame in an unpredictable manner.
- Never cover the fascia opening of the Firebox at any time.
- It is advisable to consider children and pets when selecting a position to install the Firebox. Ensure that the fire is never left unattended.
- Install a vent above and below the Firebox to allow for ventilation should a spill occur.
- In Australia it is mandatory for all products to be supplied with a Fuel Canister which has a flame arrestor. Cocoon Fires supplies a fuel cannister with a flame arrestor in the Australian market. We recommend in all markets to use a fuel cannister with a flame arrestor.

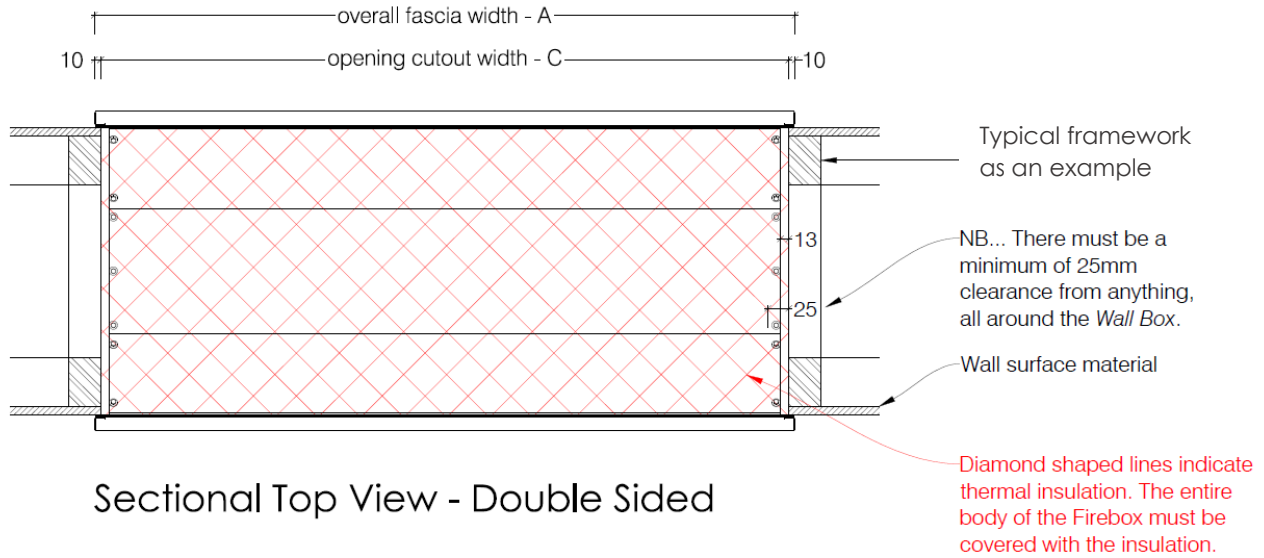
### CLEANING & MAINTENANCE FOR COMMERCIAL & SLIMLINE FIREBOXES:

The internal areas of the Firebox can change in appearance with time and usage. This is to be considered normal wear and tear and does not constitute a product flaw or fault. We recommend cleaning the internal surfaces with a moist lint-free cloth.

### ALWAYS KEEP HANDY A CLASS ABE FIRE EXTINGUISHER:

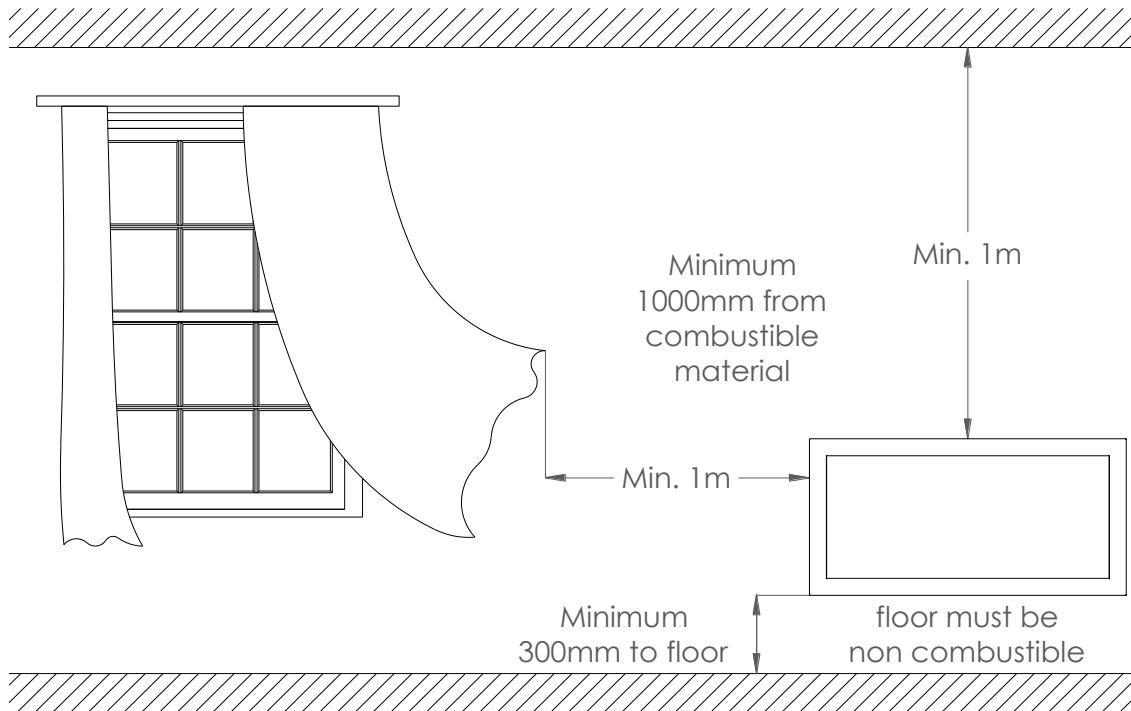
Class ABE fire extinguishers are used to put out fires that are caused by combustible liquids. Class ABE fire extinguishers quell the flames by expelling a dry chemical powder or foam with a nitrogen propellant. The specific chemical can vary depending on the make or model. Water will not extinguish this flame.

### 3 - Location, Positioning & Precautions



Sectional Top View - Double Sided

Note: The drawings above are an example of a typical installation using framework and covering the Firebox body with insulation. All installations must comply with the relevant building regulations and restrictions of the country where the installation is to take place.



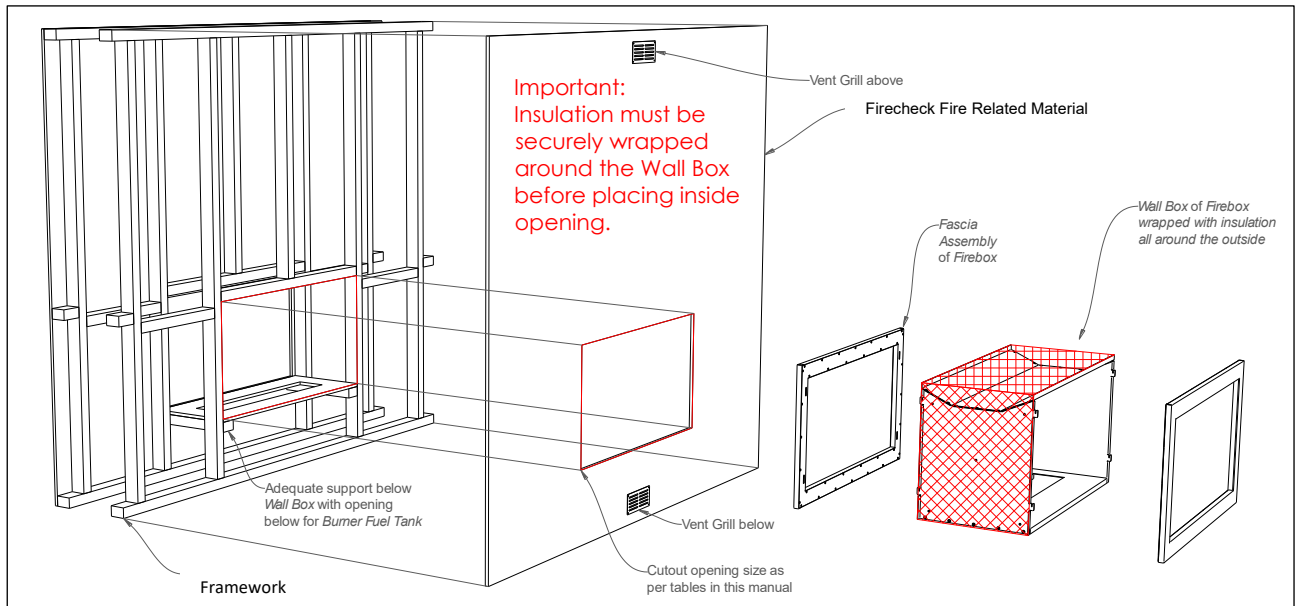
### **PRECAUTION** **RISK OF EXPLOSION**

To avoid a build-up of fuel vapour in the cavity, it must be vented and checked for any possible spillage or leaks.

Should the burner be over filled or leak into the wall cavity void, please remove the burner to check and to thoroughly clean up any fuel spillage. Make sure the area is dry and clean, before replacing the burner. The area will need to be well vented for a minimum of 24 hours before igniting the burner.

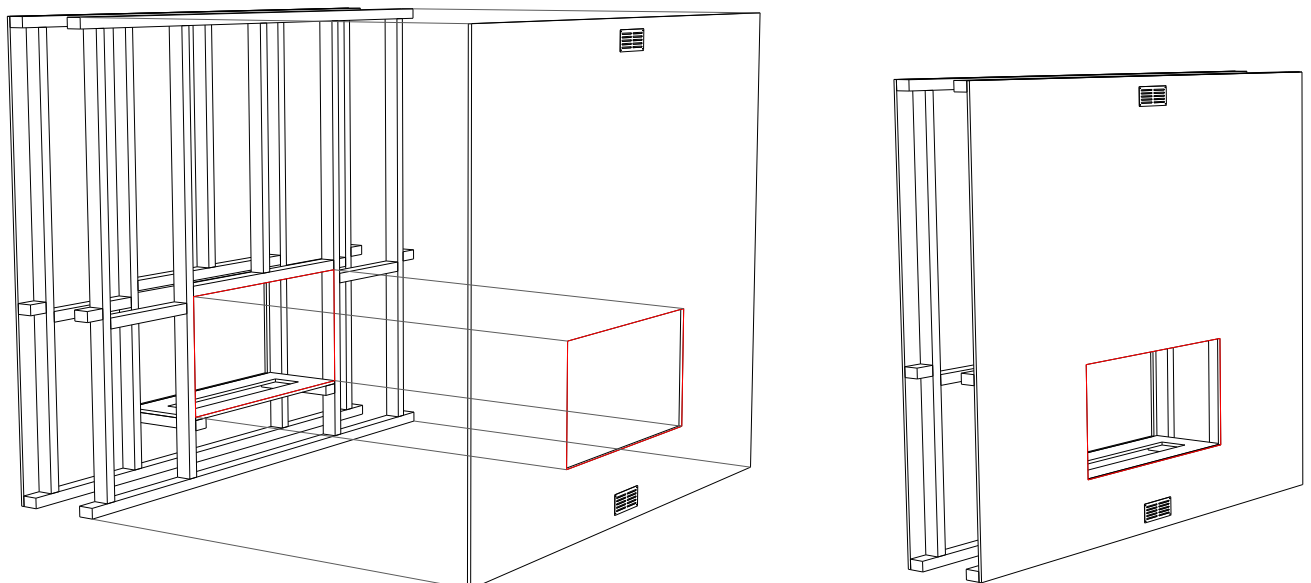
## 4 - Installation Procedure

Always use a certified builder or installation specialist when installing your *Firebox*. Use only fire rated materials which adhere to the relevant laws and building regulations in the country where the installation is to occur and make sure that spacing tolerances are always adhered to and that the correct insulation materials has been used. Below is an example of a typical installation.



### Step 1:

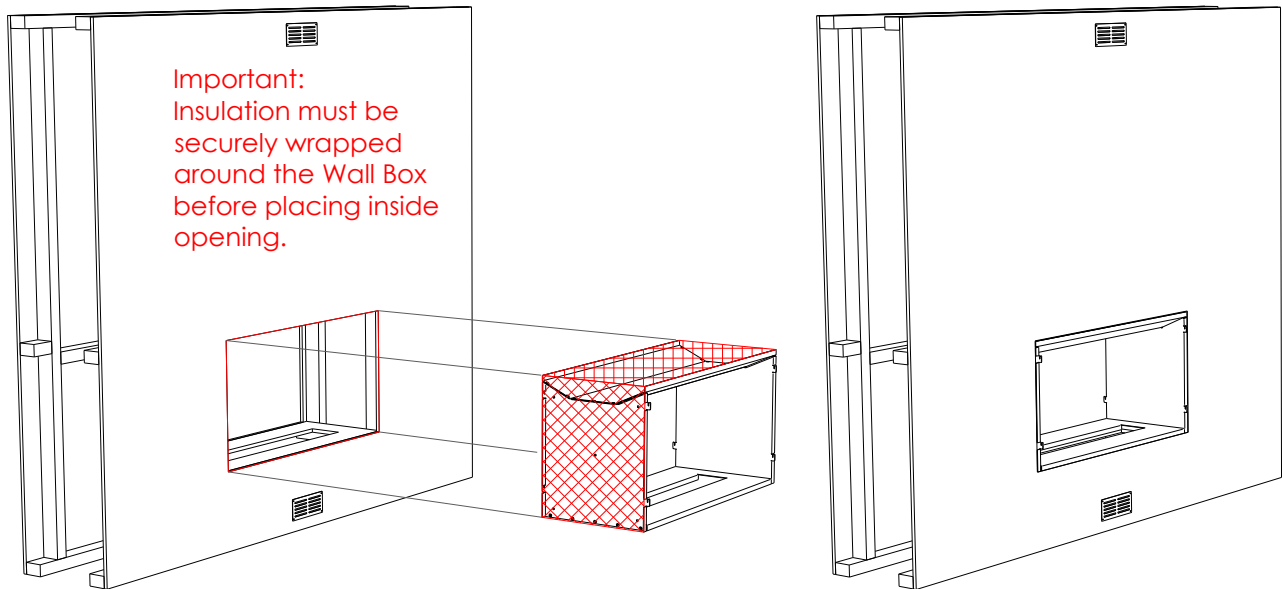
Create your *Firebox* display structure from fire rated building materials with enough support below for the *Firebox* to rest on. Your structure must have a vent above and below the *Fireplace*, these vents can also be on the side of your structure and hidden out of sight.





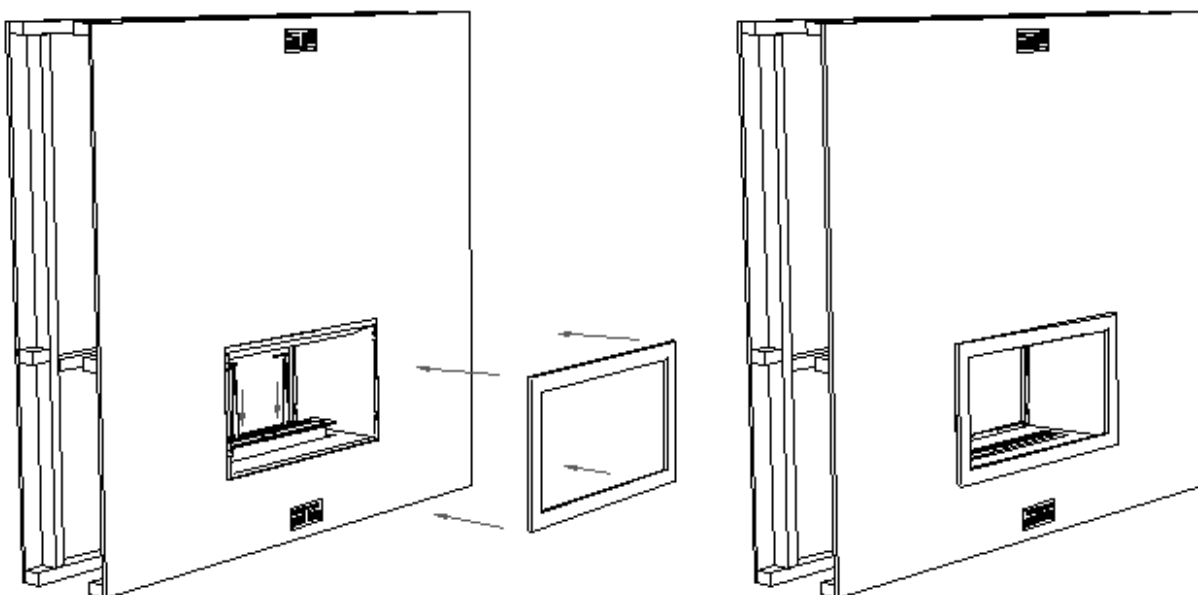
## Step 2:

Insert the Wall Box into the opening. Ensure the *Firebox* is level both horizontally and vertically before placing the *Burner* inside the Firebox base cut out. Remember to leave adequate space for the *Burner* to drop down into the void below the Firebox. Wrap the Firebox with the thermal insulation material before inserting into the wall cavity. Ensure the insulation is securely fastened and that all parts of the Fireplace body are covered by the insulation. No combustible materials may touch the fire box body if not insulated.



## Step 3:

Place the *Burner* into cut out and attach the fascia to the hooks on the front of the Firebox. Your Firebox is now ready for use. Please consult the bioethanol *Burner* manual supplied with your *Burner* for the safety precautions and operating procedure of the *Burner*.



## **ICON Fires warranty Terms and Conditions**

- 1.** All warranty claims are subject to manufacturer's review and acceptance.
- 2.** Icon Fires warrants that it uses reasonable care and skill to ensure that its products are of reasonable quality. Icon Fires will at its cost and in its sole discretion: (i) remedy any defect or fault in any product purchased; or (ii) replace any product in respect of which there is a defect or fault, during the warranty period, provided that written notice is given by the Purchaser to Icon Fires of any such defect or fault in the product as soon as the Purchaser becomes aware of that fault or defect. All warranty claims must be returned to Icon Fires for assessment with a receipt or other proof of payment. No warranty is given in respect of any glass contained in any product.
- 3.** Icon Fires has no liability to remedy any defect in a product or replace a product where the defect or fault is caused or contributed to by (i) the failure of the Purchaser to install the product according to specific installation instructions either supplied within each product box or carton or available on the Icon Fires website or through the retailer representative; or (ii) use of the product in a manner or for a purpose for which it was not designed.
- 4.** All site application or installation must reflect these procedures otherwise the product warranty will be considered void or will not take effect.

**All products bearing the logo of Icon Fires logo is covered by a 2 year warranty.**

### **IMPORTANT:**

- **Stone chipping, painting scratches and general scratches are not covered by the Warranty.**
- **Due to the characteristics of Stainless Steel, over time the finish will mature through natural processes associated with the use with heat and a flame.**
- **Is it recommended the Stainless Steel Components be polished annually with a non abrasive polish to bring & restore the finish and also to regularly clean the products from residue and dirt.**

# ICON FIRES

## QC Checklist

### Components

- Base plate 1 of .....
- Side plates 2 of .....
- Back plate 1 of (Single Sided only).....
- Top plate 1 of .....
- Screws and washers Enough for relative model

Checked by.....

# ICON FIRES

[www.iconfires.com](http://www.iconfires.com)